

LD63

LED Mirror light



Data sheet - Page 1

The LD63 mirror or decorative light fitting is the LED replacement for the 10148 halogen light. It uses the very latest in LED technology giving a high power LED output and good colour rendering with 93 CRI LED. This shallow, recessed fitting has no projected heat and its two diffused surfaces create an even glow, making it ideal for facial illumination. Rated IP65 as standard, the LD63 is designed for quick and simple installation and features spring clips for hidden fixing. The fitting is available with a choice of switch, 0-10V, DMX, Dali or mains dimmable drivers.

Key Features

- Updated with LED technology
- Reduced thermal output
- High power LED output
- Shallow recessed fitting
- Two diffused surfaces to create an even glow, perfect for facial lighting
- Good colour rendering with 93 CRI LED
- IP65 as standard
- Hidden fixing with spring clips
- Designed for simple, quick installation
- Available with Switch, 0-10V, DMX, Dali or Mains dimmable drivers

Specification

Applications



Beam Angles

170°

LED type

Cree XPG2

Colour temperature

2700K** / 3000K | 5000K

Drive Current (mA)

350 | 500 | 350 | 500

LED power* (W)

1.2W | 1.7W | 1.2W | 1.7W

CRI (typical)

93 | 93 | 75 | 75

Forward voltage (V)₁₀₀

3.0V | 3.2V | 3.0V | 3.2V

Delivered Lumens (L₁₀₀)**

43 | 59 | 52 | 71

LED lifetime (to 70% lumen maintenance) 50,000hrs at a max ambient temperature of 35°C

Materials

Machined brass body, hard anodised aluminium heatsink & opal glass

Wiring

Comes pre-wired with 2 core 100mm lead, can be specified with up to 10m at extra cost

IP rating

IP65

*LED wattage includes losses associated with using an 85% efficient driver

**2700K lumen output is 12% lower than the 3000K figure listed

4000K lumen output is 14% higher than the 3000K figure listed (80 CRI)



Design/Installation: Light IQ Project: Private Residence Product: 10148

LD63

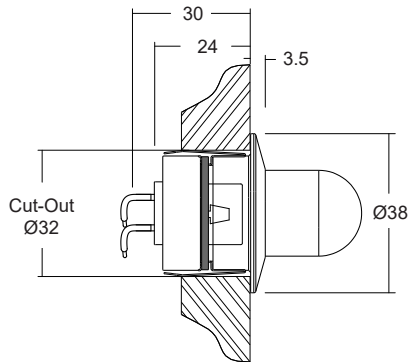
LED Mirror Lamp



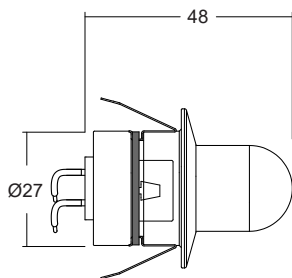
Data sheet - Page 2

Dimensions

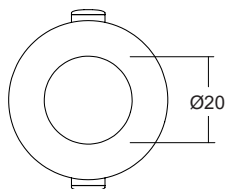
Cross Section View



Side View



Top View



Photometrics

Photometric files are included in the design pack which can be downloaded from the LD63 product page on the website.



Order Codes and Options

Product code

 /

LED colour

Finish

Example: LD63-350 / LW30 / Chrome

Product codes with output options

1.2W LED at 350mA	LD63-350
1.7W LED at 500mA (recommended)	LD63-500

LED colour options

Extra Warm White (2700K)	/LW27
Warm White (3000K)	/LW30
White (4000K) - on request	/LW40
Cool White (5000K)	/LW50
Amber	/LA
Blue	/LB
Green	/LG
Red	/LR

Finish options

Bezel - Chrome / paint finish silver/ white (RAL 9016) / RAL finish
 (please see our finishes guide for other applicable finishes)

Use with 350mA and 500mA constant current LED drivers

For our complete range of LED drivers please download the data sheet from the downloads section at www.lightgraphix.co.uk

To run 1-14 LD63-350 in series use a TXDEL350D (0-10V dimmable)

To run 1-14 LD63-500 in series use a TXDEL500D (0-10V dimmable)



Design/Installation: TheLightingOutback AB Product: 10148